



PRODUCT SPECIFICATION SHEET

SECURE

Rubber feet have an extremely high friction coefficient, so they grip, but do not mark, the wall and floor.

STRONG

With concealed alloy cleats, engineered to grip tighter as the load increases.

LOAD TESTED

Leandesk has been tested to carry a load of 65kg*. That's over 40 MacBook Pros**.

*Tested by FIRA International **2024, M3 14-inch.

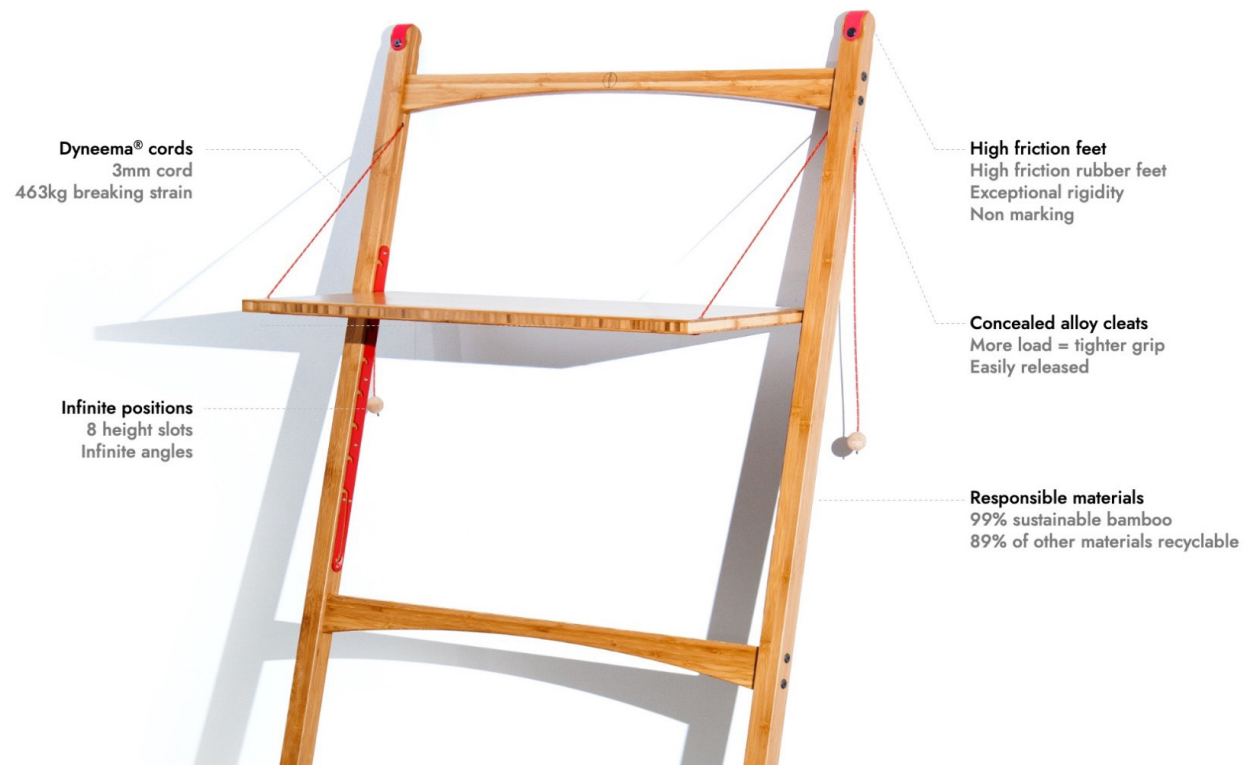
PRODUCT OVERVIEW

One desk. Infinite possibilities.

Switch from standing to sitting positions in seconds. Adjust the height and pitch of the desktop for laptop work, sketching, reading or presenting - and when you're done, Leandesk folds down to a depth of just 50mm and can be stowed away or wall mounted with our hook accessory.

No motors, no springs - just an elegantly designed and carefully engineered application of simple physics combined with discreet innovations from performance sports.

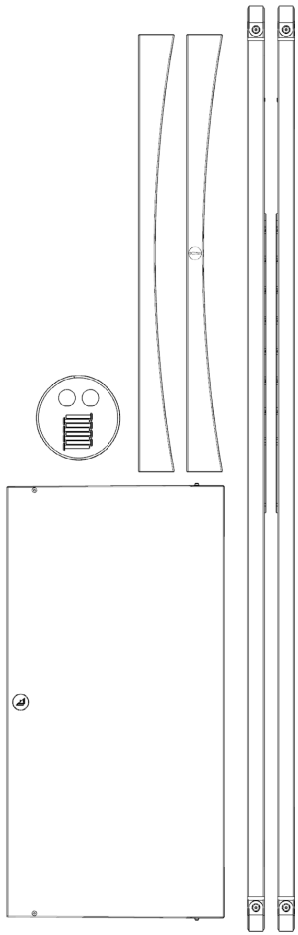
Leandesk is incredibly stable and strong. You can lean on it to sketch and trust it with your laptop, yet it can be released from its locked position and stowed away in moments.



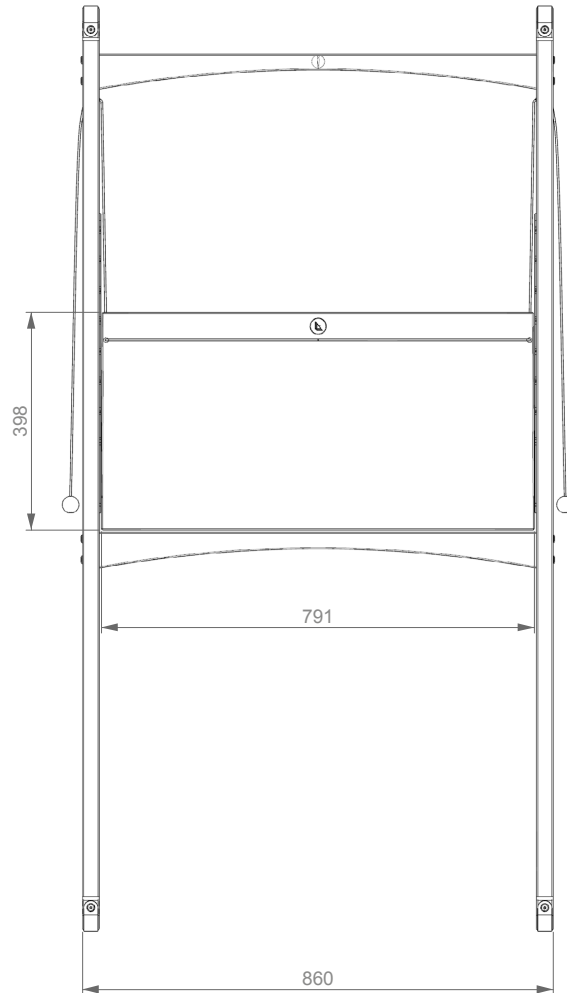


COMPONENTS

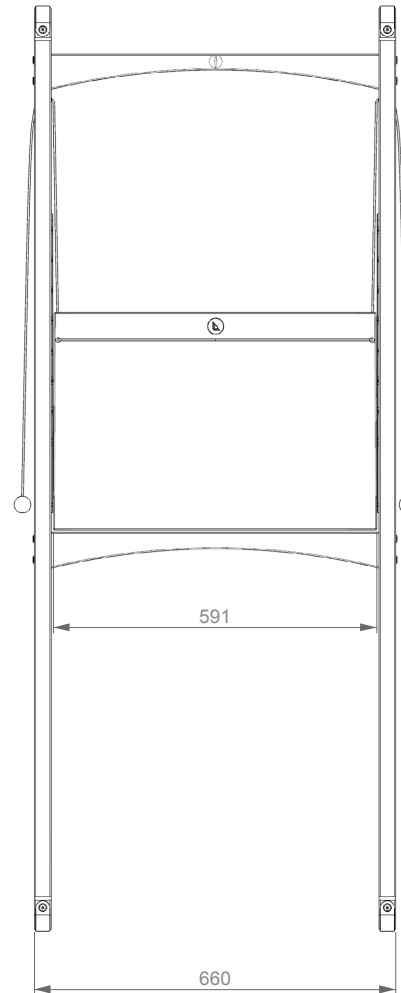
'Original' components



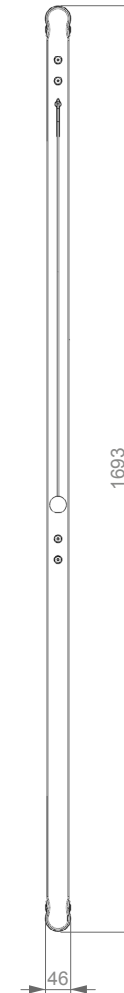
'Original' front



'Compact' front



Both side



ASSEMBLY

The Leandesk comes boxed as components, which can be assembled in less than 10 minutes.

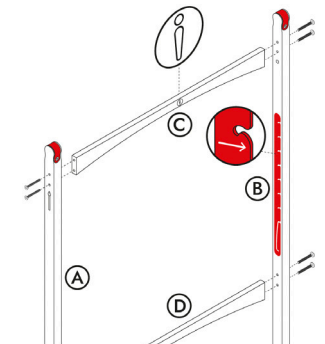
Watch the video:
<https://leandesk.com/assembly-video>

Watch video

INSTRUCTIONS

<https://leandesk.com/instruction-manual>

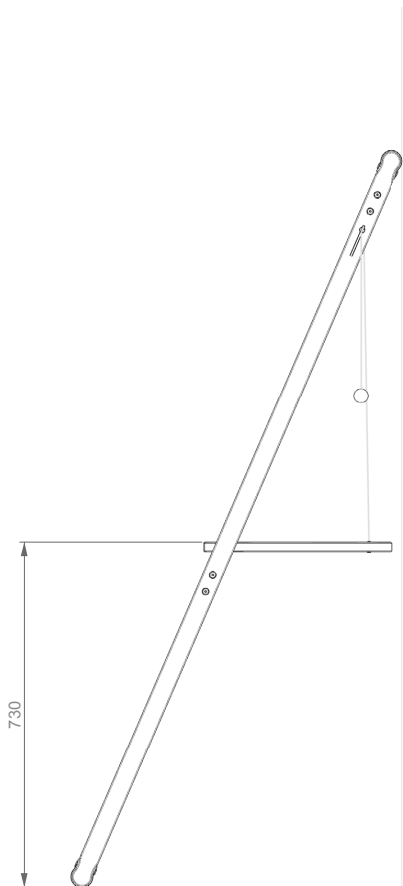
Download manual



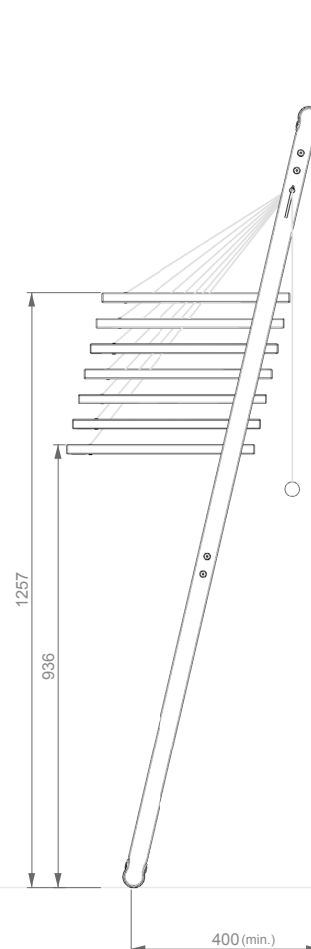


POSITIONS / DIMENSIONS

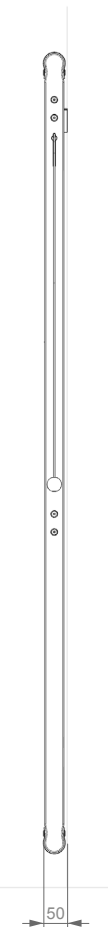
Sit position



Stand positions



Stowed



INFINITE ADJUSTMENT

By adjusting the desk height and angle, users can fine tune their working position with infinite variability.

SWITCH IN SECONDS

Change from sit to stand and adjust desk height and angle in seconds, using Leandesk's unique rack and cord design.

SPACE SAVING

When wall hung, Leandesk protrudes just 50mm from the wall and takes zero floorplace in the room.



SUSTAINABILITY

Leandesk is made from the best and strongest bamboo plywood, meaning each one uses the minimal amount. It is CNC processed, with minimal waste. The sheets are constructed using high quality adhesives that meet E1 emissions standard levels. Finishes are equally carefully selected, considering both their environmental impact and their durability. All finishes have been tested and are compliant with various global standards. Please contact us if you would like further information on these.

Bamboo is a superlatively sustainable material. It is coppiced/cut on a 4-year rotation, leaving the plant alive to re-grow. It is exceptionally fast growing and sequesters carbon more efficiently than any hardwood. It grows on nutrient poor, unfertile land, with no need of chemical fertilisers.

Packaging has been very carefully considered, is intended to be reused, and made from 100% FSC Certified recyclable cardboard.

Our manufacturing partner was selected specifically for their sustainability credentials. We have visited the factory which is ISO 9001:2015 and has been granted LEED GOLD certificate by the US Green Building Council.

Leandesk have a verified carbon footprint of just 12.28kg CO_{2e} Original / 10.70kg CO_{2e} Compact over a five-year life cycle, with 68% of emissions coming from material sourcing.

Designed for circularity, 97% of components are reusable or recyclable and 100% can be disassembled. The product meets ISO 14067 and GHG Protocol standards. Every component is a stocked spare part and easily replaceable.

B Corp targets: 'Pending' status by 08/25, full certification in 2025. Currently working with 'Design Conformity' on LCA and EPD certification.

LEANDESK.COM

For more information please see our website, or contact us if you require any specific sustainability data. Leandesk manufacture to the highest standards, our products are guaranteed for 5 years against breakdown through normal use, defective workmanship, and materials. We will repair free of charge if this happens within 5 years. If the product cannot be repaired, we will replace the product. For full 'Product Care' and 'Product Guarantee' information please see the relevant section of our website.



Leandesk can positively support attainment of WELL, LEED and BREEAM certification



CARBON/CLIMATE CHANGE MITIGATION

We recognise the importance of measuring and then reducing our own emissions and those in our supply chain. We have partnered with Forest Carbon and purchased 10 tonnes of carbon - this exceeds the forecast total carbon footprint of our products for 2025. Please see our website for more details of the Cul Mor peatland restoration project we are supporting.

Leandesk Ltd.

Higher Tregarne, Mawnan Smith, Falmouth, Cornwall, TR11 5JW, UK
support@leandesk.com - +44(0)7788 752456 - @lean_desk - #leandesk

Due to the character of natural products colour may vary slightly. All products, prices and leadtimes are correct at time of print and are subject to change without notice.

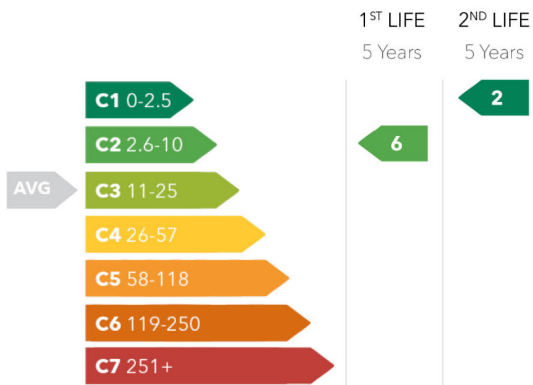


101180

LEANDESK

Leandesk (Original)

CARBON EFFICIENCY RATING



Carbon Footprint per functional unit
12.28 kg CO₂e



RECYCLED CONTENT

5%



DECONSTRUCTABLE

100%



REUSABLE

97%

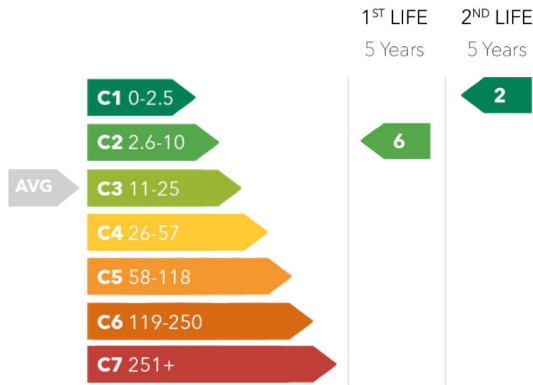


101373

LEANDESK

Leandesk (Compact)

CARBON EFFICIENCY RATING



Carbon Footprint per functional unit
10.70 kg CO₂e



RECYCLED CONTENT

6%



DECONSTRUCTABLE

100%



REUSABLE

97%

CARBON EFFICIENCY RATING

Leandesk proudly holds the Design Conformity Circular Design Certificate, an independent verification that our furniture and workplace solutions meet the rigorous ISO 14067 standard for circular design and carbon transparency. This certification demonstrates that each product we offer has undergone a full Life Cycle Assessment (LCA)—from material sourcing, manufacturing, and distribution to reuse and end-of-life—to measure and minimise carbon impact.

LEANDESK ORIGINAL Circular design certificate

[Download certificate](#)

LEANDESK COMPACT Circular design certificate

[Download certificate](#)