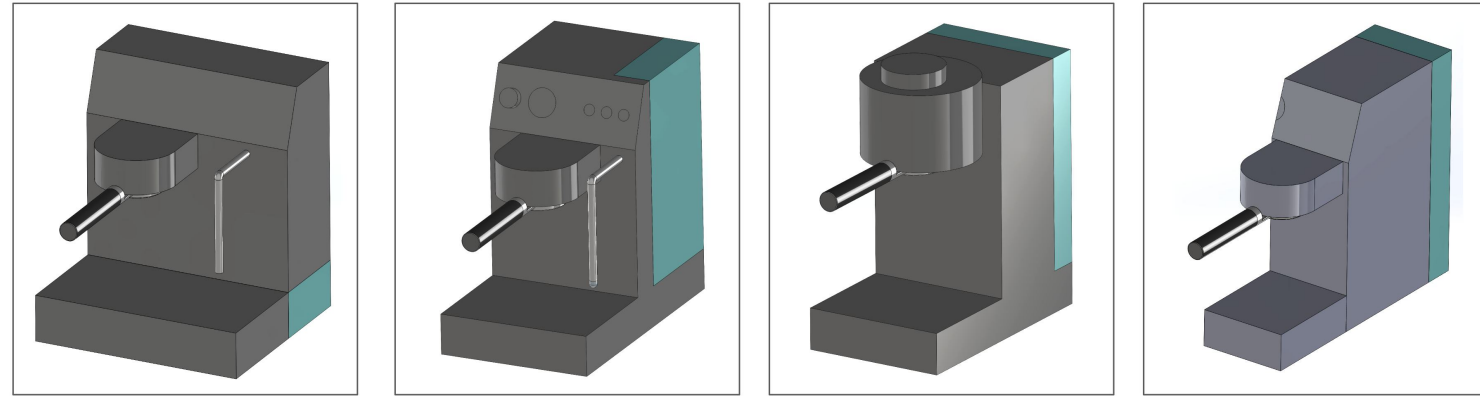


Fellow Espresso Series 1 - Design Process

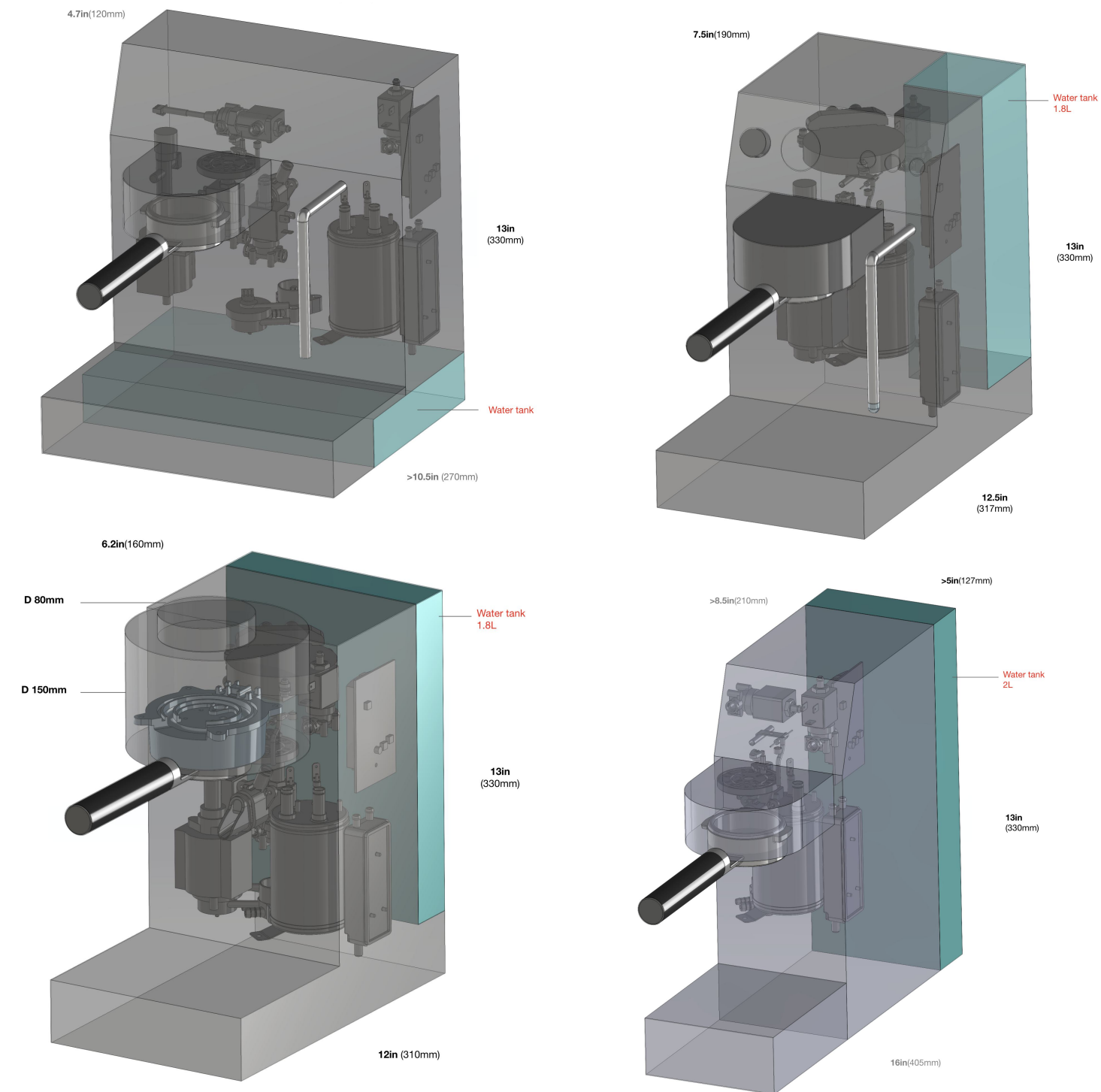


Archetype A

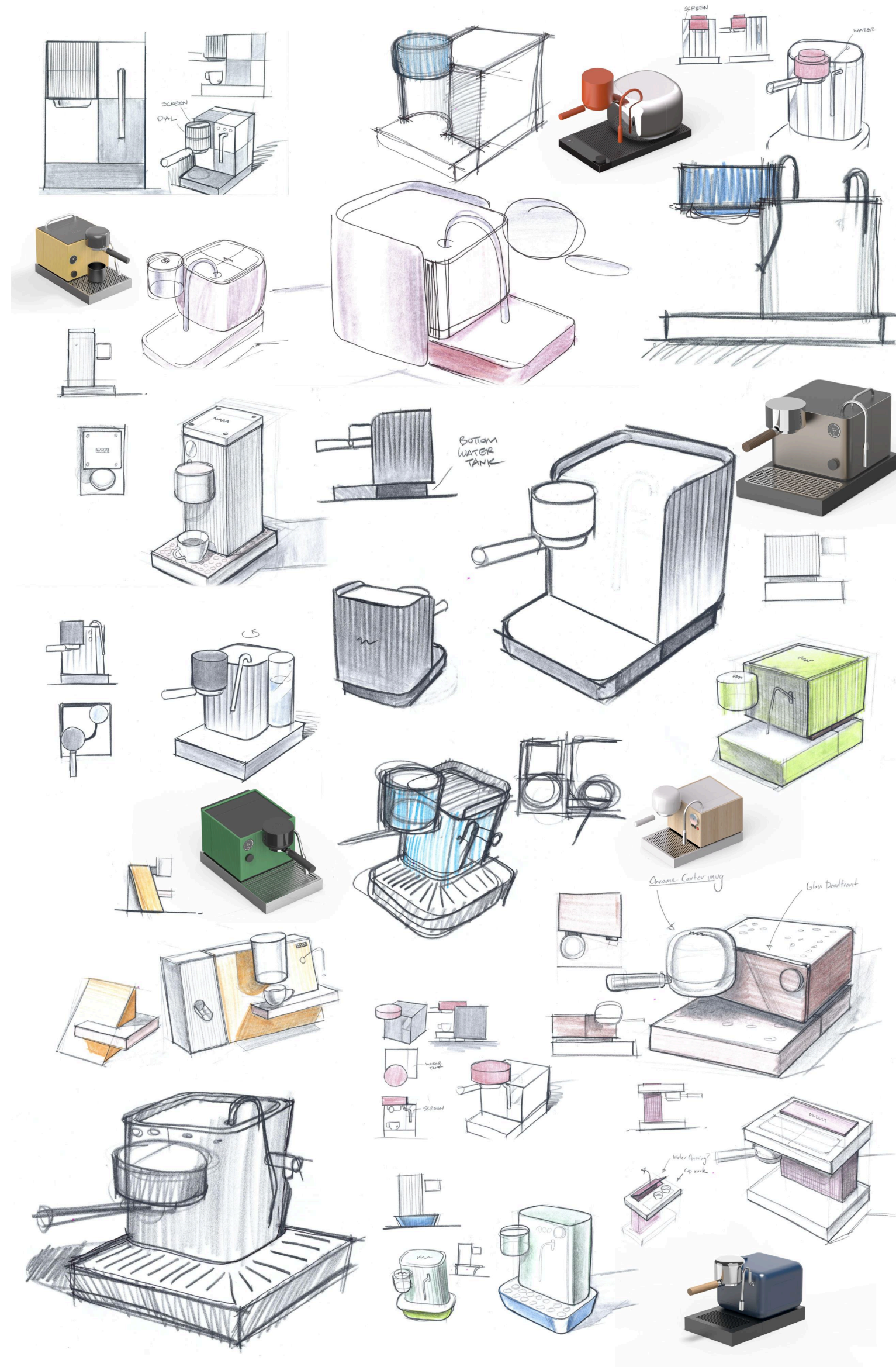
Archetype B

Archetype C

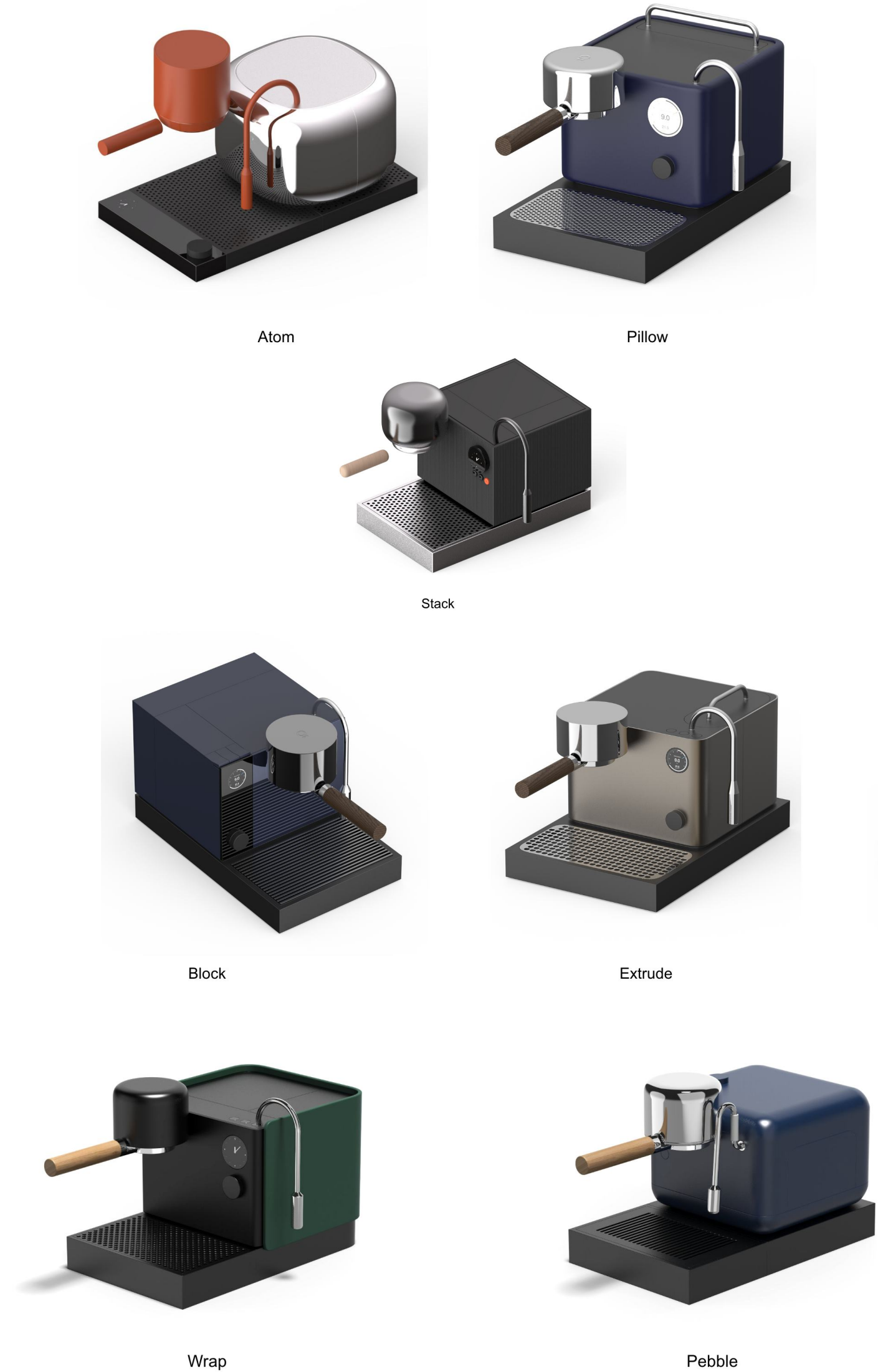
Archetype D



Internal Architectures



Concept Sketches



Atom

Pillow

Stack

Block

Extrude

Wrap

Pebble

3D Concept Development

